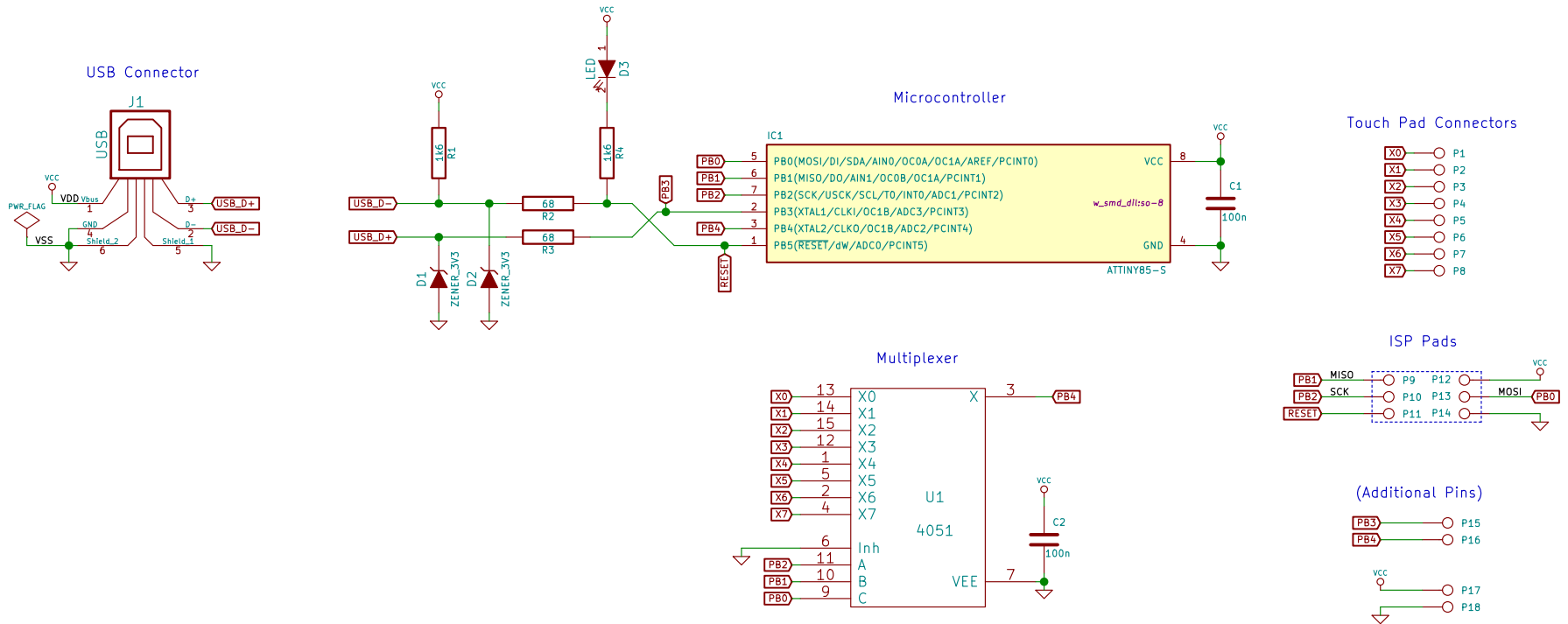


# cocobabygnusb



Sheet: /	
File: cocobabygnusb.sch	
<b>Title: cocobabygnusb</b>	
Size: A4	Date: 2015-12-17
KiCad E.D.A. kicad (2015-11-10 BZR 6307)-product	Rev: 0.01
	Id: 1/1