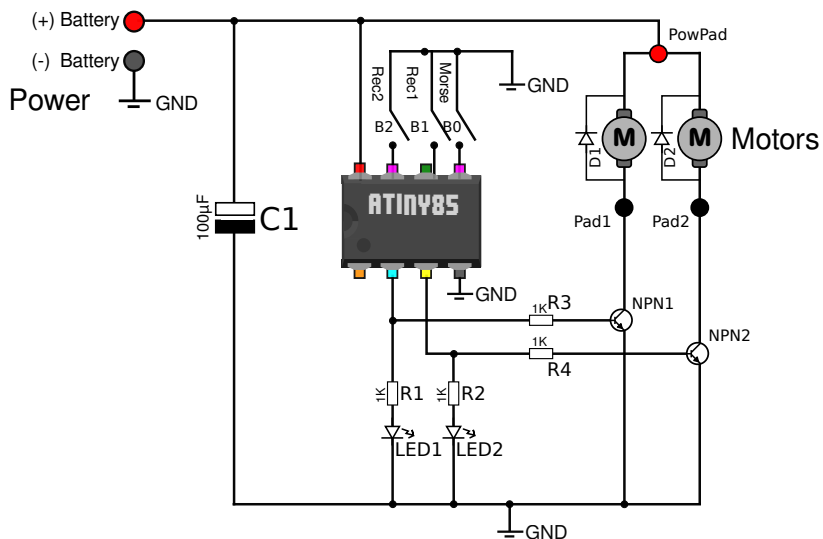


Attiny85 Record & Play Dual Channel



"A workshop where participants will build small electro-mechanical solo drum machines from single DC motors and small circuit boards. The workshop will experiment with different kinds of sounding materials (metal pieces, stones, springs, paper, etc), where the machines will oscillate freely and develop their own individual sound quality. Once built the machines will be used to explore fundamental musical structures."

- from Ralf Schreiber

<http://www.ralfschreiber.com/share/pulseandpatterns.html>



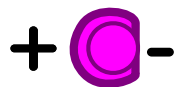
Button



Attiny85



Resistor



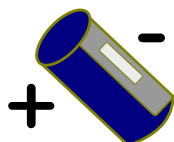
LED



Transistor



Dioda



Capacitor

