

diy makeaway



Krachmacher bauen mit der Schweizerischen Gesellschaft für Mechatronische Kunst

nano_amp

9.95

Discover the nano sounds around you with this small, battery operated audio amplifier. The gain of the LM386 amplifier chip is internally set to 20 to keep external part count low. The addition of an external capacitor between pins 1 and 8 will increase the gain to 200.



If a tree falls in a forest, and everyone is wearing iPods ...

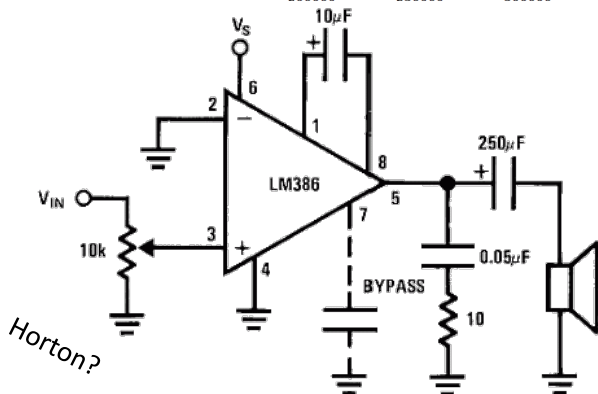
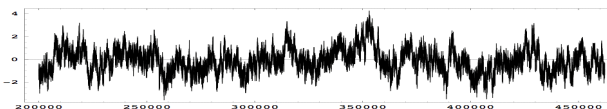
Assembly Plan

Ok, let's try this
Go for some soldering action...

Do one thing a a time.
Starting with the amplifier chip in the middle. The groove on the chip has to point to the left. Battery-clip, red is +, black GND (to the outside area)



Schematics



The microphone (or a little speaker) is connected to the input V_{IN} . The operational amplifier LM386 does what it says, it amplifies if it is operating... To do so, power from the battery has to be connected to the + (V_S) and to the ground (GND). The capacitor on pin 1 and 8 sets the amplification to 200 times the input signal.



SMAS Swiss Mechatron Art Society
SSAM Société Suisse d'Art Mécatronique
SGMK Schweizerische Gesellschaft für Mechatronische Kunst
www.mechatronicart.ch

More info on www.mechatronicsart.ch/diymakeaway