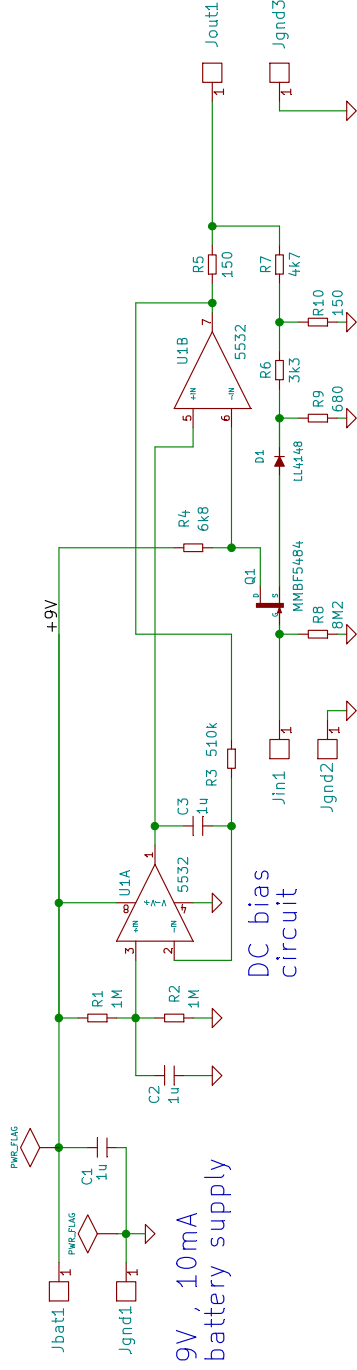


# PIEZOAMP

high impedance , low noise piezo sensor/mic preamplifier



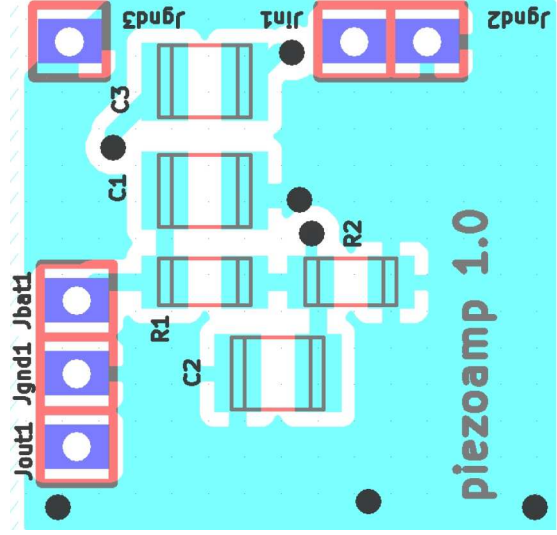
9V , 10mA  
battery supply

DC bias  
circuit

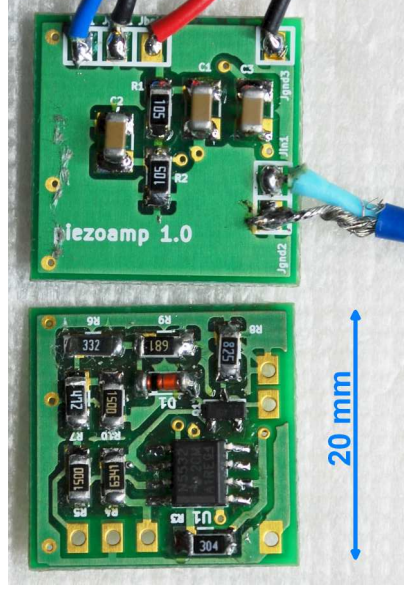
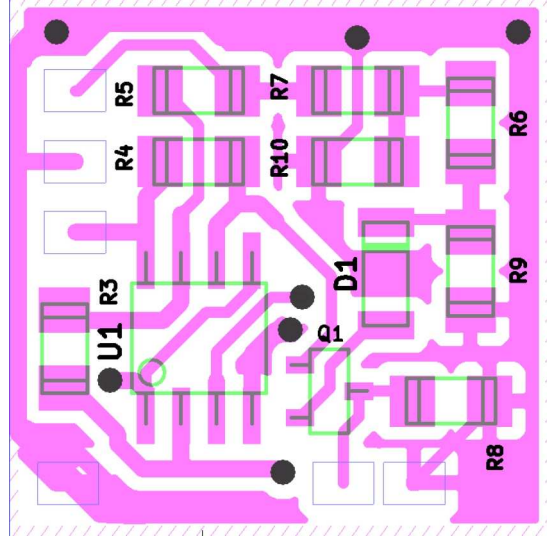
signal  
input  
discrete FET  
high impedance  
input stage

low-noise opamp  
DC feedback  
gain stage

+ - 3V peak  
line output



piezoamp 1.0



[www.kulturqueter-schuppen.de](http://www.kulturqueter-schuppen.de)

Sheet: /  
File: piezoamp.sch

Title: Piezo Pickup Preamplifier

Size: A4 Date: Freitag, 27. Dezember 2013

KiCad E.D.A. eeschema (2014-02-13 BZR 4694)-product

Rev: 0.9

Id: 1/1