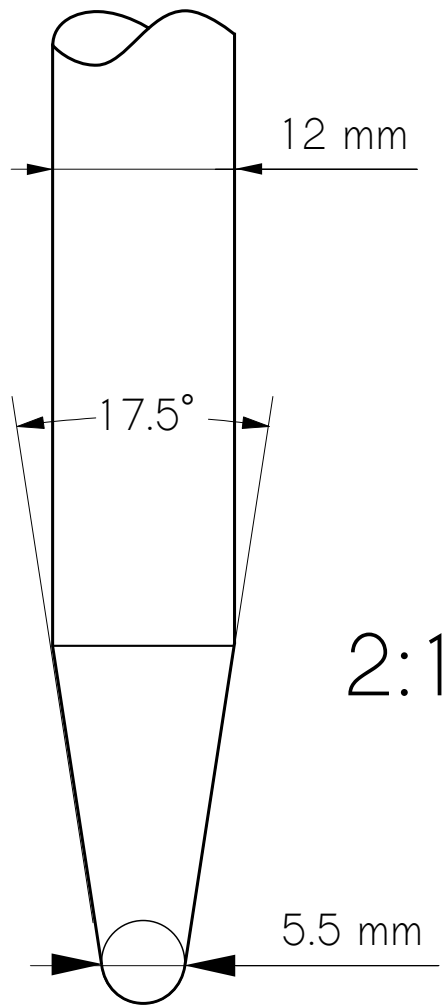


Drill for Eppendorf PCR Tube 1.5 ml



Eppendorf PCR Tube 1.5 ml

